

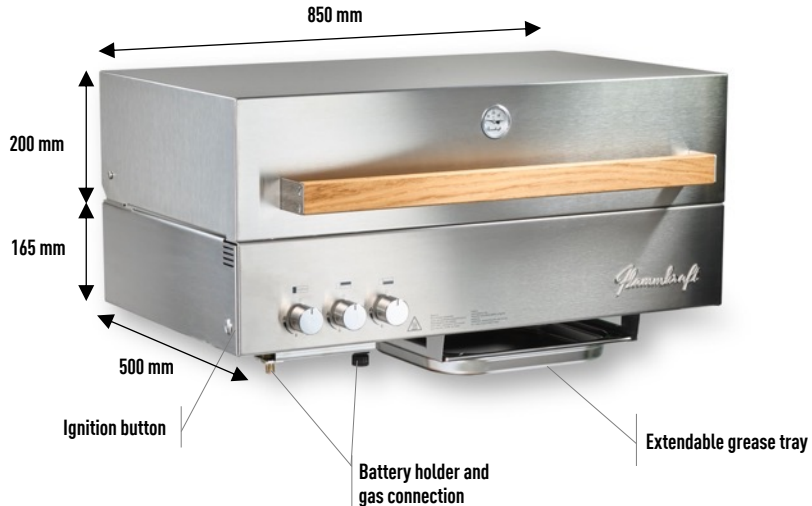


Installation instructions for

Flammkraft barbecue modules in outdoor kitchens – Block C

*Flammkraft*

# Flammkraft

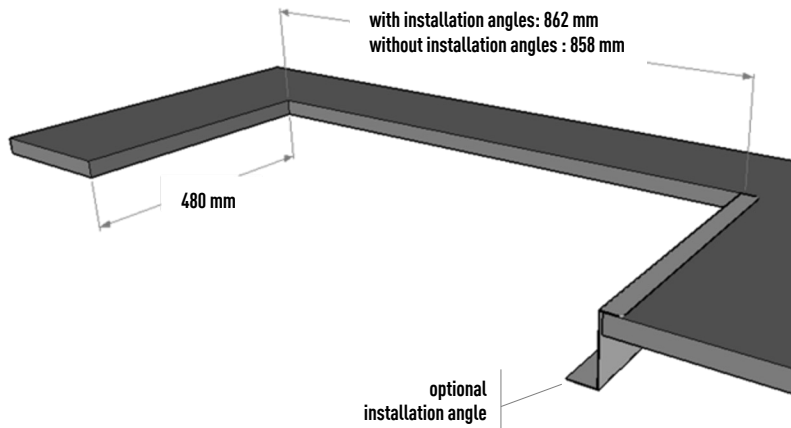


Your Flammkraft Grill module is delivered fully assembled and is already prepared for installation in your outdoor kitchen.

You have two options to install your Flammkraft Grill in your outdoor kitchen:

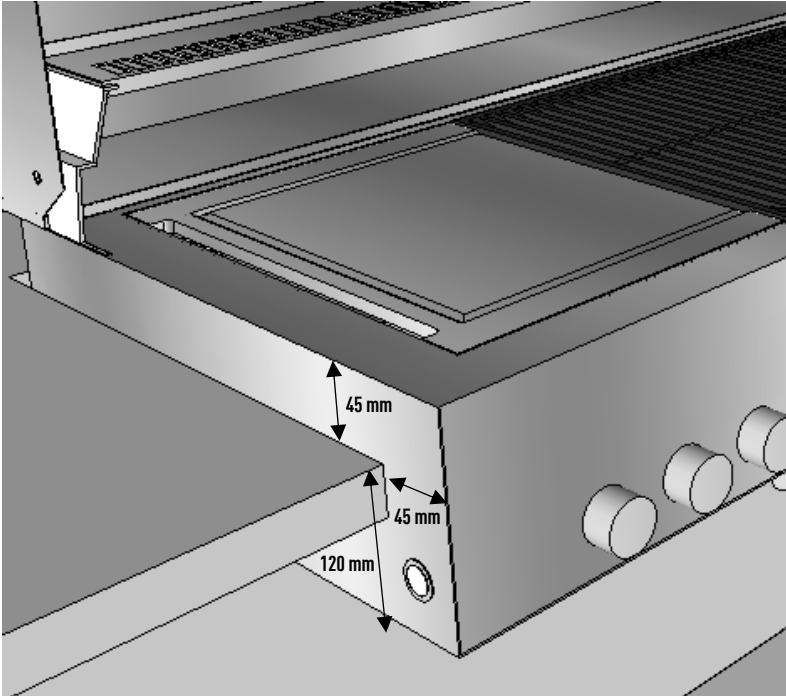
1. you use our optional installation angles. These are mounted with screws to the underside of the grill. This way, the grill can be pushed (hooked) into the countertop and fixed if necessary. The maximum weight of the grill module is approx. 50 kg. The construction must be appropriately designed/reinforced to safely support this weight.
2. you mount your Flammkraft grill on a suitable substructure. In this case do not need our optional installation angles.

All of the following measurements apply to both installation options.



Dimension the cutout in your worktop according to the drawing.

If you use installation option 2 on a substructure, the cutout may be 4 mm smaller in width. The depth remains unchanged.



The grill must protrude approx. 45 mm upwards from the work surface. Otherwise, ventilation slots are covered on the back and the use of the rotisserie is not possible.

This means that the support of the substructure must be 120 mm below the top edge of the work surface.

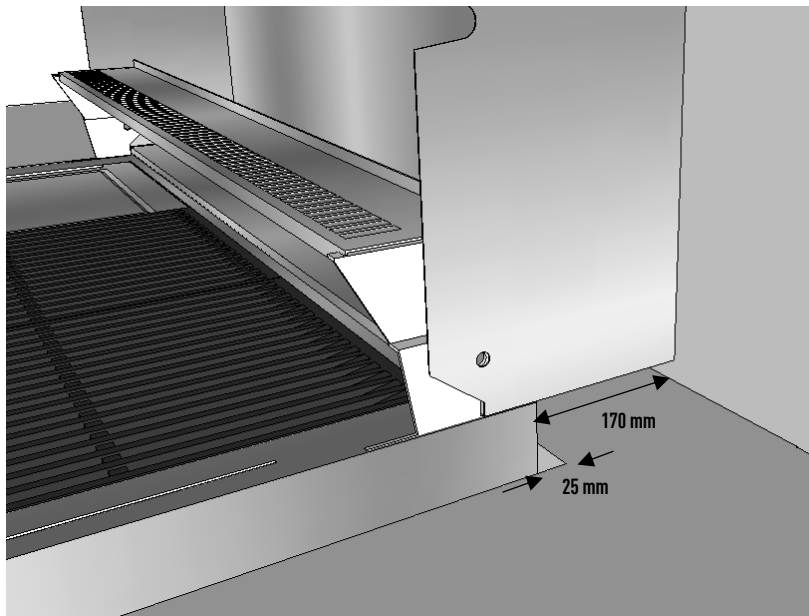
The grill must protrude 45 mm to the front to safely operate the ignition button.

If you use our installation angles, these dimensions are given by design. Just make sure that the angles are flush with the front edge of the worktop.

*Flammkraft*

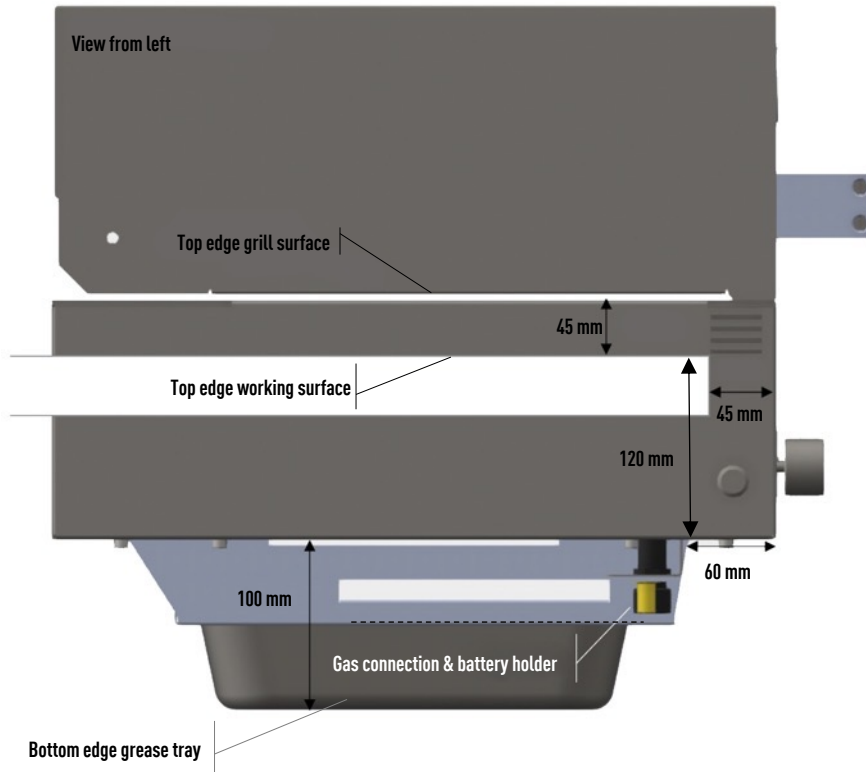


Use the red marked surfaces to place and fix the grill on a substructure. The surfaces have a width of ca. 45 mm.



In case the grill is placed in front of a wall, ensure a minimum distance of 170 mm from the back of the grill to the wall so that the lid can be opened easily.

Leave 25 mm space in the countertop behind the grill for ventilation.



Keep these dimensions in mind when designing the base cabinet to avoid collisions and maintain accessibility to the grease tray.

*Flammkraft*



Member of the ZWILLING Group

Flammkraft GmbH, Amelsbürener Straße 201, 48163 Münster, Germany  
[www.flammkraft.com](http://www.flammkraft.com)